

MorpheusTM



Vertical Form/Fill/Seal

OVERVIEW

The Matrix MorpheusTM Servo-Driven Continuous Box-Motion bagger is the first of its kind in the vertical form-fill-seal industry. Our cutting edge technology on the high speed jaw system allows for maximum dwell time on sealing and allows for faster speeds and accuracy.

We have combined this new faster technology with state-of-the-art Beckhoff control system; user friendly, highly intuitive, and bursting with possibilities for further technological advancements, these controls will remain on the cutting edge for years to come.



FEATURES & BENEFITS

Standard at no extra cost

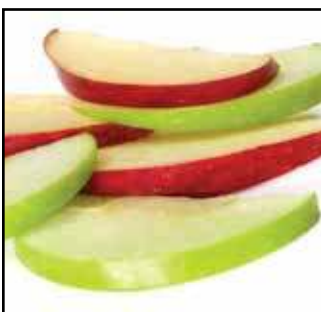
- Servo-driven continuous box-motion jaw for maximum speed and jaw dwell time
- High performance vacuum film pull belts (improves performance with difficult films)
- State-of-the-art Beckhoff PC-based controls
- 12" multi-touch HMI with 800 x 600 screen resolution
- PackML state control system
- Comprehensive self-diagnostic tools
- Stainless steel 304 frame polished and ground (corrosion resistant)
- Stainless steel NEMA 4X electrical enclosure
- Stainless steel adjustable mounting feet or optional casters



The versatility of this new high speed technology allows this machine to succeed in all types of conditions and with a huge range of products and applications.

Runs films that require longer seal times making it ideal for marks such as:

- Frozen
- Fresh cut
- IQF (Individually Quick Frozen) markets



Matrix Packaging Machinery

650 Dekora Woods Blvd.
Saukville, WI 53080

Toll Free: 888-Matrix1
Main Office: 262-268-8300

info@MatrixPM.com

www.MatrixPM.com

powered by Pro Mach

MADE IN THE USA

MorpheusTM



Vertical Form/Fill/Seal

TECHNICAL SPECS

Cycle Speed	Up to 200 BPM (depending on application)	
Electrical	208-240VAC 30 AMP Single phase, 50/60 Hz	
Air Pressure	4 - 10 CFM @ 80 PSI (demand varies by application)	
Bag Sizes	Width	Length
Minimum	2" (50mm)	2" (50mm)
Maximum	12" (305mm)	20" (765mm)
Seal Width	Horizontal	Vertical
	0.500" top and bottom	0.400"
Film Roll (max.)	14" diameter	
Film	Laminate or poly film sealing capability	
Filler	Compatible with all types	

ADDITIONAL FEATURES

- Electronic film registration mark
- Pneumatic film roll brake
- Automatic film tracking
- Compatible with thermal transfer printers, such as ID Technology.

OPTIONS

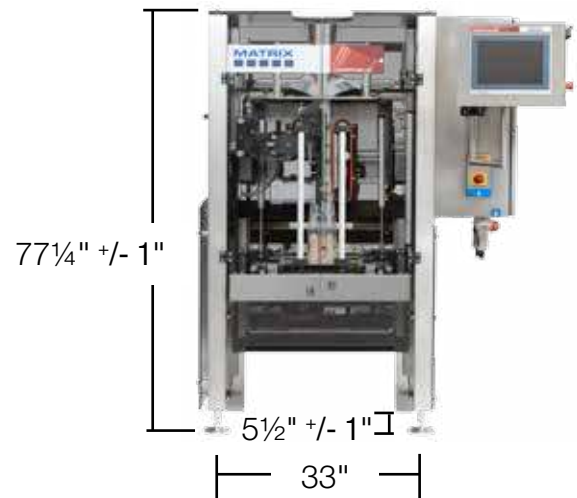
- Side gusset (top and bottom)
- Mechanical hole punch (8mm diameter)
- Thermal transfer printer and encoder
- Poly jaw system
- Nitrogen flush

ABOUT THE MATRIX CONTINUOUS, BOX-MOTION JAW



- Increase speed with films, such as polyethylene, that require longer seal times.
- Film is pulled while the jaw is closed as opposed to waiting until the jaw opens to pull film.
- Gentle product handling as the jaw is in the elevated position when product is dropped into the bag, and the drop distance is minimized. The jaw then lowers pulling the film down with the movement to seal the top of the bag.

Front View



Side View

